

*CHANNELS FOR BATH*

# CHANNELS FOR BATH

Channels are used to take away surface waste waters in bath, shower and similar rooms. Material of channel is stainless (DIN 1.4301 ). Channel loading to 150 kg (K3), 4 pcs. equipped with leveling screws, capacity of outlet max. 0,6 l/sec.

We can produce also some specific lengths of chanel.

## ADVANTAGES OF OUR PRODUCTS

### EXPERIENCE

-our company was founded in 1990

### QUALITY AND CERTIFICATES

- used material is attested, professional treatment
- quality certificate CSN EN ISO 9001:2009

### PRICE

-our target is to produce high-quality products for affordable price

### FLEXIBILITY

-we are able quickly respond at new trends and requirements of our customers

### INNOVATION

-we still improve our products and also develop new

### QUANTITY DISCOUNTS

-we provide quantity discounts for large orders

### CZECH COMPANY

- without the presence of foreign capital



# CHANNELS FOR BATH

## ZVS

Using

- drainage shower, bath, etc.

Placing - in the flat

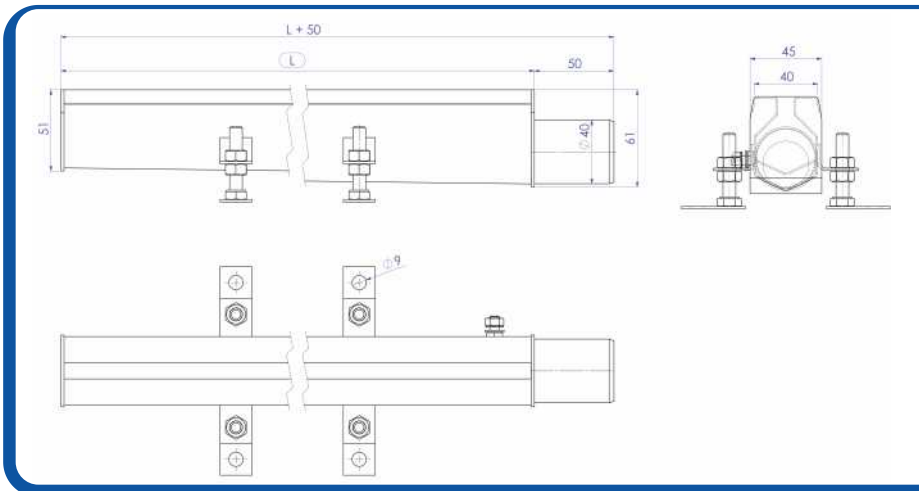
Type of floor - without isolation

Outlet - at the end DN40

Gradient - yes

Material of channel - DIN 1.4301

Trap - from plastic tube with montage



order number	width mm	L mm	height mm	building width mm	building length mm	building height mm
ZVS/1000	40	1000	51-61	45	1050	61
ZVS/2000	40	2000	51-61	45	2050	61

# CHANNELS FOR BATH

## ZVSI

Using

- drainage shower, bath, etc.

Placing - in the flat

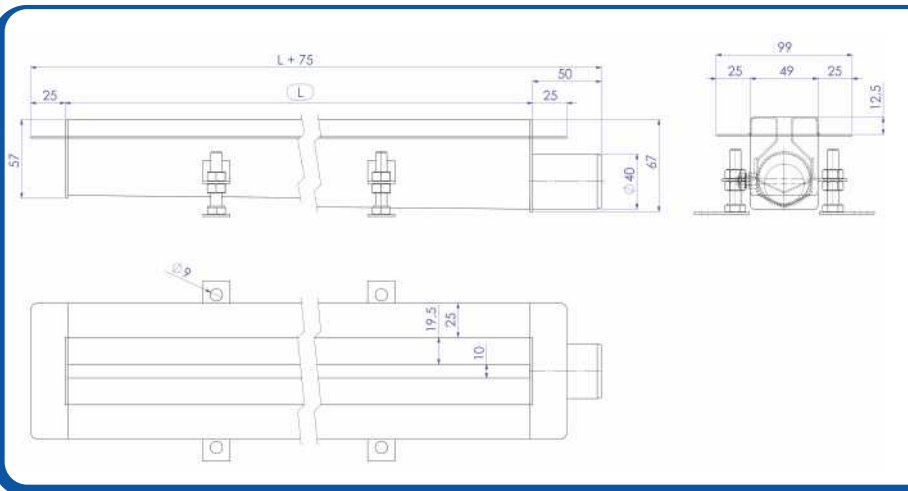
Type of floor - with isolation

Outlet - at the end DN40

Gradient - yes

Material of channel - DIN 1.4301

Trap - from plastic tube with montage



order number	width mm	L mm	height mm	building width mm	building length mm	building height mm
ZVSI/1000	49	1000	57-67	99	1075	67

## CHANNELS FOR BATH

### Using

- drainage shower, bath, etc.

### Placing - in the flat

### Type of floor - with isolation

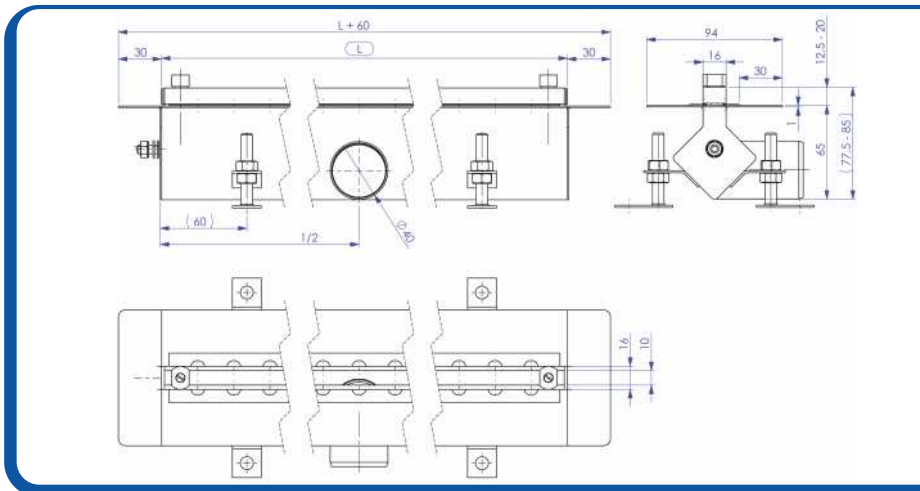
### Outlet - at the end DN40

### Gradient - no

### Material of channel - DIN 1.4301

### Trap - from plastic tube with montage

### Vertical adjustment of rim - 12,5-20mm



order number	width mm	L mm	height mm	building width mm	building length mm	building height mm
ZVSIK/700	10	700	77,5-85	94	760	77,5-85
ZVSIK/800	10	800	77,5-85	94	860	77,5-85
ZVSIK/900	10	900	77,5-85	94	960	77,5-85
ZVSIK/1000	10	1000	77,5-85	94	1060	77,5-85

## CHANNELS FOR BATH

### ZUS 70

Using

- drainage shower, bath, etc.

Placing - in the flat

Type of floor - without isolation

Outlet - middle

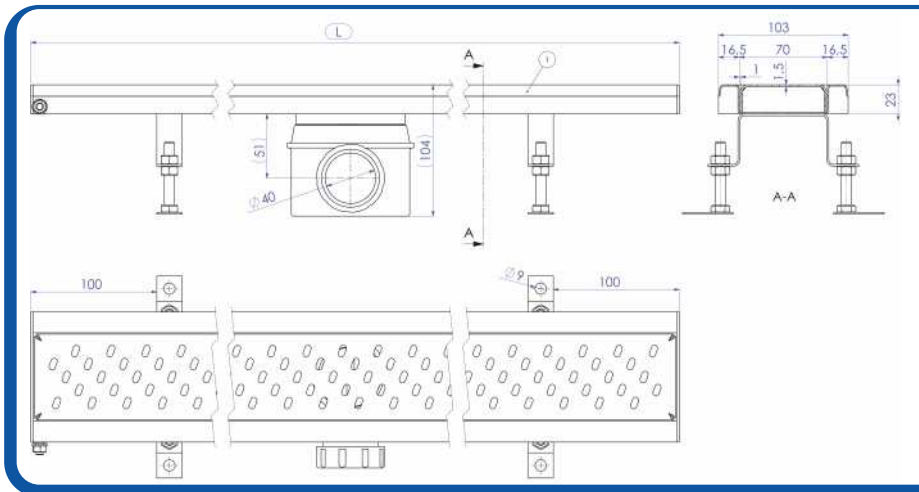
Gradient - no

Material of channel - DIN 1.4301

Trap type selectable

- PP (plastic)
- PN (stainless)

order separate according selection



order number	width mm	L mm	height mm	building width mm	building length mm	building height mm
ZUS 70/700	70	700	23	103	700	104
ZUS 70/800	70	800	23	103	800	104
ZUS 70/900	70	900	23	103	900	104
ZUS 70/1000	70	1000	23	103	1000	104

## CHANNELS FOR BATH

### ZUS 100

Using

- drainage shower, bath, etc.

Placing - in the flat

Type of floor - without isolation

Outlet - at the end

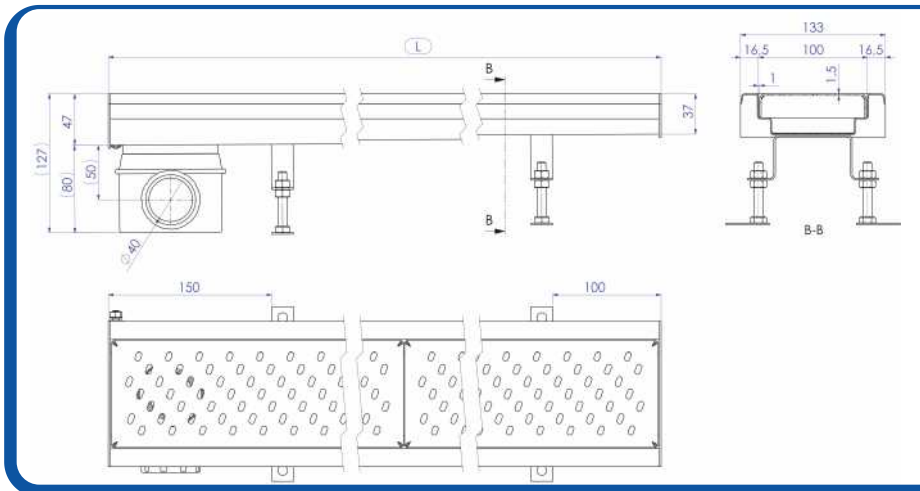
Gradient - yes

Material of channel - DIN 1.4301

Trap type selectable

- PP (plastic)
- PN (stainless)

order separate according selection



order number	width mm	L mm	height mm	building width mm	building length mm	building height mm
ZUS 100/1000	100	1000	37-47	133	1000	127
ZUS 100/2000	100	2000	37-47	133	2000	127

## CHANNELS FOR BATH

### ZUSI 50 K

**Using**

- drainage shower, bath, etc.

**Placing** - in the flat

**Type of floor** - with isolation

**Outlet** - middle DN40

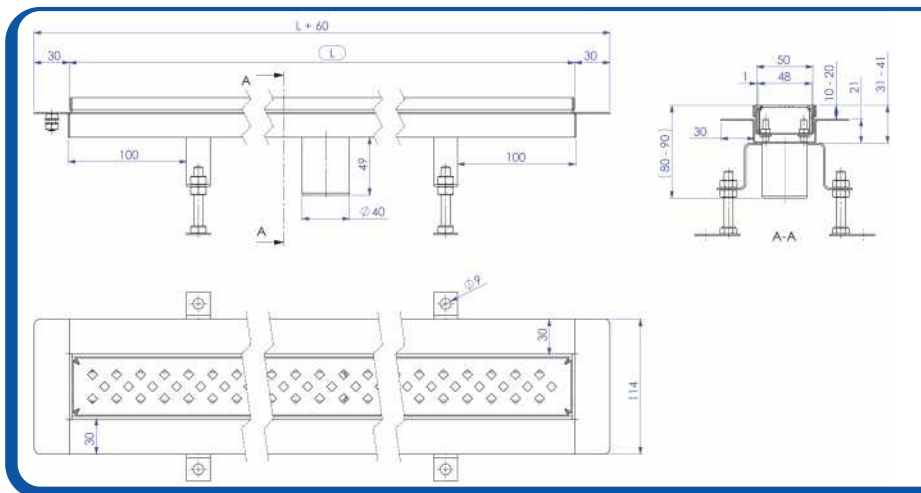
**Gradient** - no

**Material of channel** - DIN 1.4301

**Trap**

- from plastic tube with montage

**Vertical adjustment of rim** - 10-20mm



order number	width mm	L mm	height mm	building width mm	building length mm	building height mm
ZUSI 50 K/700	50	700	31-41	114	760	80-90
ZUSI 50 K/800	50	800	31-41	114	860	80-90
ZUSI 50 K/900	50	900	31-41	114	960	80-90
ZUSI 50 K/1000	50	1000	31-41	114	1060	80-90

# CHANNELS FOR BATH

## ZUSI 70

Using

- drainage shower, bath, etc.

Placing - in the flat

Type of floor - with isolation

Outlet - middle

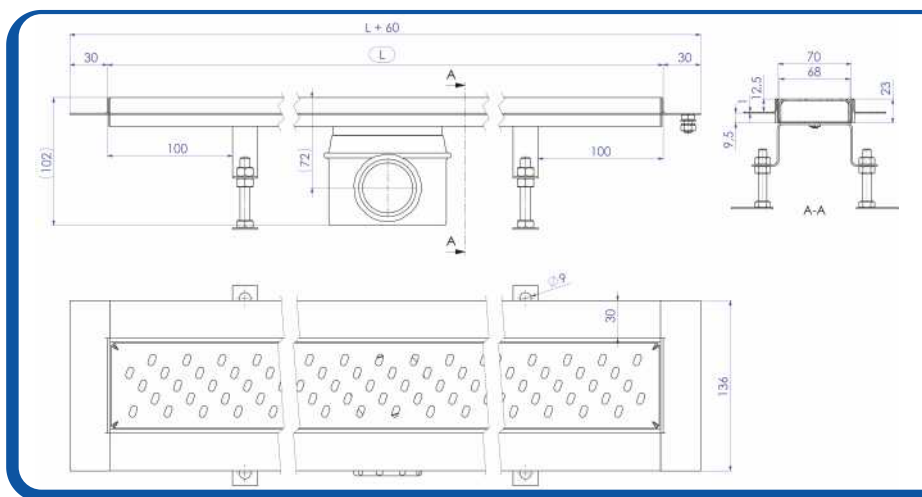
Gradient - no

Material of channel - DIN 1.4301

Trap type selectable

- PP (plastic)
- PN (stainless)

order separate according selection



order number	width mm	L mm	height mm	building width mm	building length mm	building height mm
ZUSI 70/700	70	700	23	136	760	102
ZUSI 70/800	70	800	23	136	860	102
ZUSI 70/900	70	900	23	136	960	102
ZUSI 70/1000	70	1000	23	136	1060	102

## CHANNELS FOR BATH

### ZUSI 70 B

Using

- drainage shower, bath, etc.

Placing - in the flat

Type of floor - with isolation

Outlet - at the end

Gradient - yes

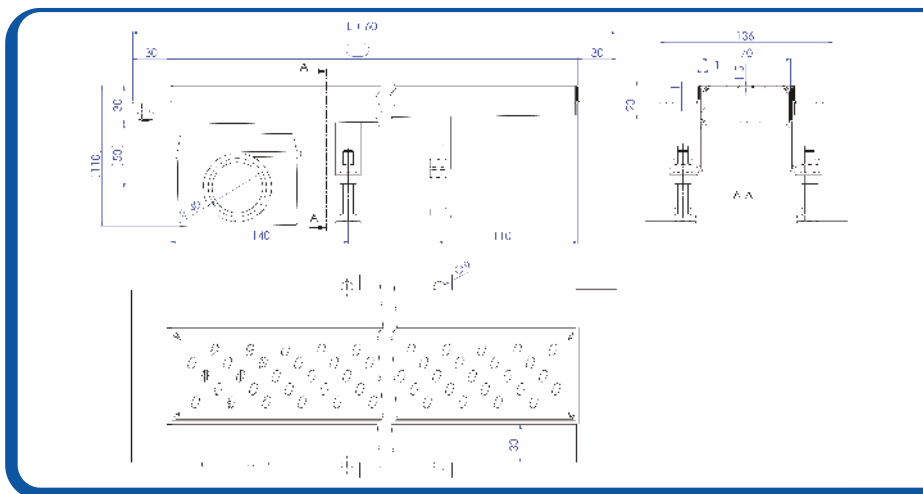
Material of channel - DIN 1.4301

Trap type selectable

- PP (plastic)

- PN (stainless)

order separate according selection



order number	width mm	L mm	height mm	building width mm	building length mm	building height mm
ZUSI 70 B/700	70	700	23-30	136	760	110
ZUSI 70 B/800	70	800	23-30	136	860	110
ZUSI 70 B/900	70	900	23-30	136	960	110
ZUSI 70 B/1000	70	1000	23-30	136	1060	110

# CHANNELS FOR BATH

Using

- drainage shower, bath, etc.

Placing - at the wall

Type of floor - with isolation

Outlet - middle

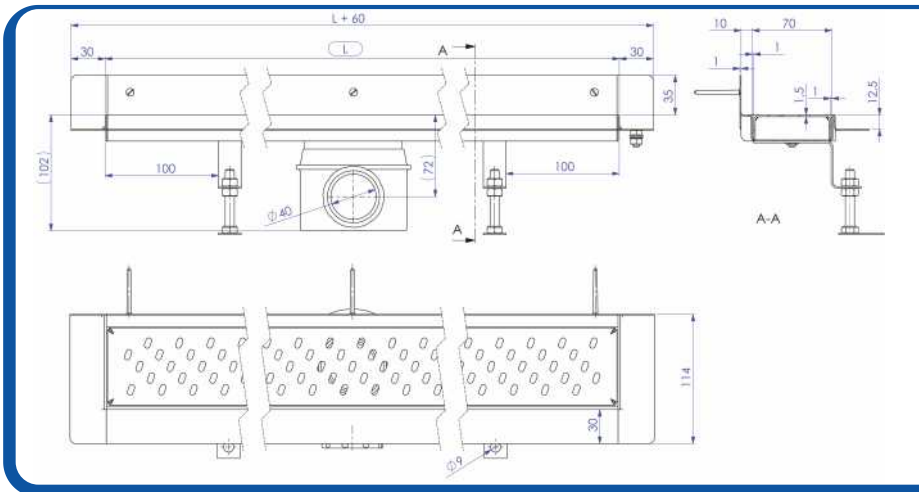
Gradient - no

Material of channel - DIN 1.4301

Trap type selectable

- PP (plastic)
- PN (stainless)

order separate according selection



order number	width mm	L mm	height mm	building width mm	building length mm	building height mm
ZUSI 70 Z/700	70	700	23	114	760	102
ZUSI 70 Z/800	70	800	23	114	860	102
ZUSI 70 Z/900	70	900	23	114	960	102
ZUSI 70 Z/1000	70	1000	23	114	1060	102

## CHANNELS FOR BATH

### ZUSI 70 Z2 right/left

Using

- drainage shower, bath, etc.

Placing - in the corner (in the picture right)

Type of floor - with isolation

Outlet - middle

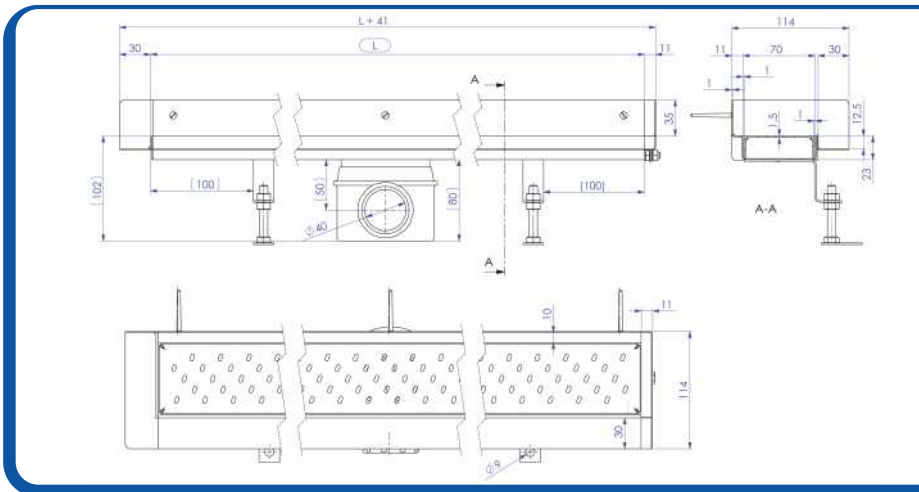
Gradient - no

Material of channel - DIN 1.4301

Trap type selectable

- PP (plastic)
- PN (stainless)

order separate according selection



order number	width mm	L mm	height mm	building width mm	building length mm	building height mm
ZUSI 70 Z2/700 P/L	70	700	23	114	741	102
ZUSI 70 Z2/800 P/L	70	800	23	114	841	102
ZUSI 70 Z2/900 P/L	70	900	23	114	941	102
ZUSI 70 Z2/1000 P/L	70	1000	23	114	1041	102

## CHANNELS FOR BATH

### ZRI 250

Using

- drainage shower, bath, etc.

Placing - in the corner

Type of floor - with isolation

Outlet - middle

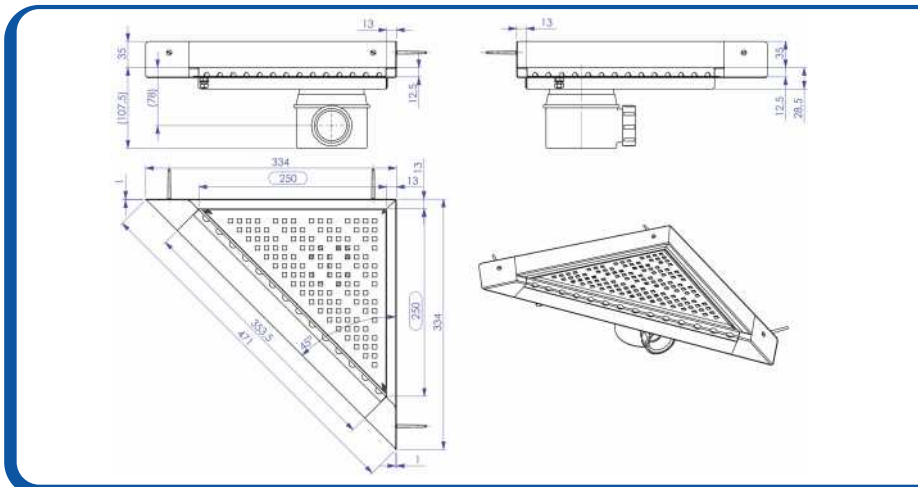
Gradient - no

Material of channel - DIN 1.4301

Trap type selectable

- PP (plastic)
- PN (stainless)

order separate according selection



order number	width mm	length mm	height mm	building width mm	building length mm	building height mm
ZRI 250	250	250	28,5	334	334	107,5

### PN40



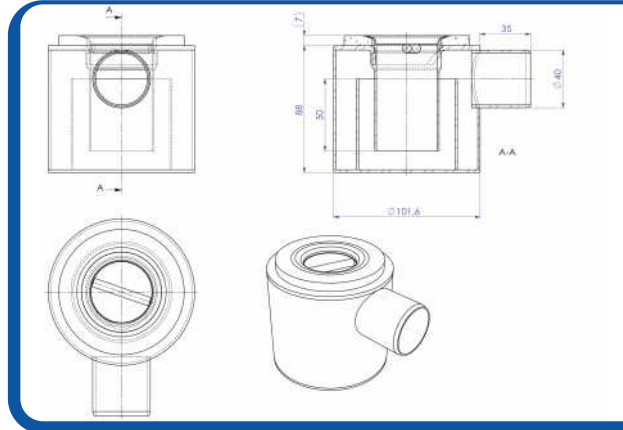
Trap made of stainless steel for connection of channels ZUS, ZUSI and ZRI 250

Outlet - side DN40

Material of trap - DIN 1.4301

Flow - at least 0,6l/s

Cleaning - chemically and mechanically



### PN50



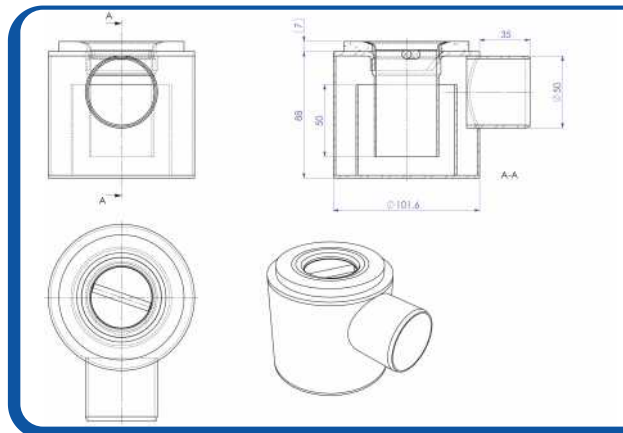
Trap made of stainless steel for connection of channels ZUS, ZUSI and ZRI 250

Outlet - side DN50

Material of trap - DIN 1.4301

Flow - at least 0,8l/s

Cleaning - chemically and mechanically



### PP40



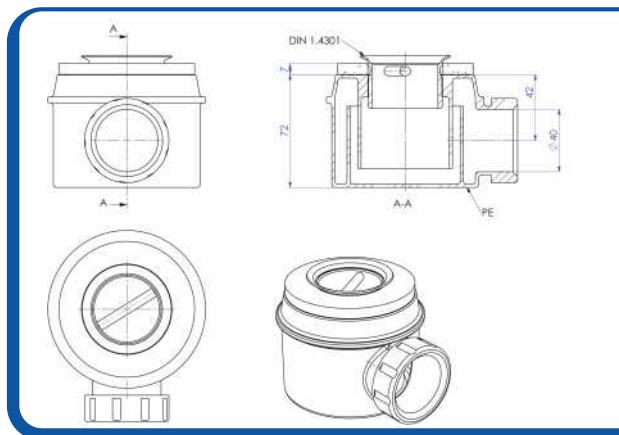
Trap made of plastic for connection of channels ZUS, ZUSI and ZRI 250

Outlet - side DN40

Material of trap - PE/DIN 1.4301

Flow - at least 0,6l/s

Cleaning - chemically



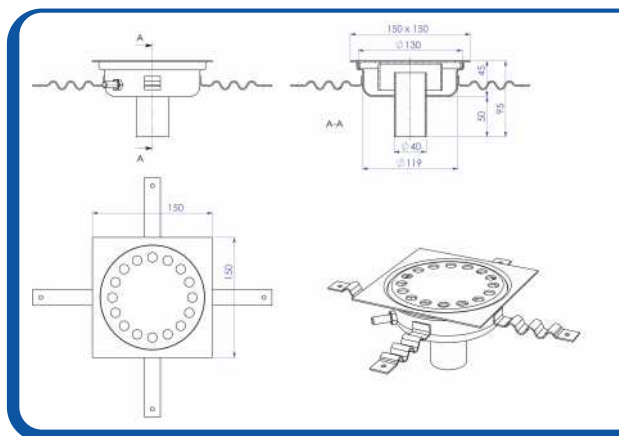
### VK 140



Gully made of stainless steel is used to take away water in bathrooms, showers, etc.

Outlet - bottom DN40

Material of gully - DIN 1.4301



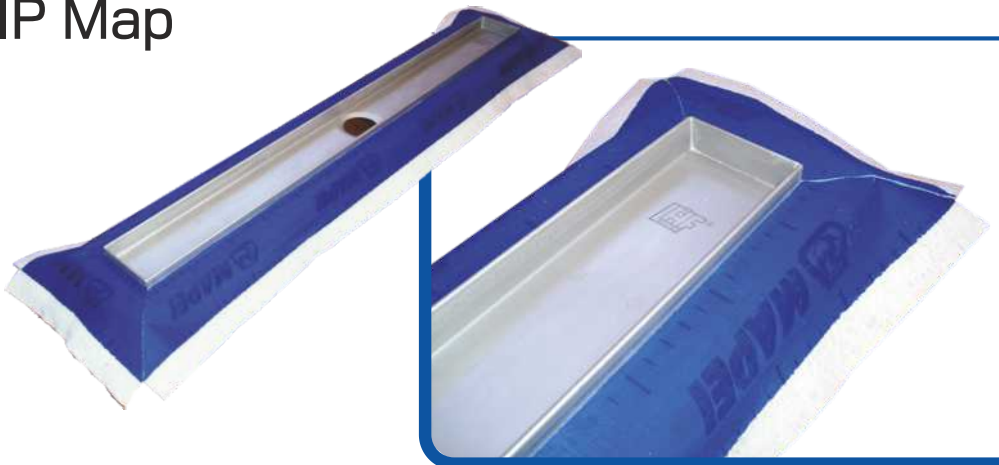
Channels for bath could be delivered also with adjustment for isolation.

### IP Eporip



Glued-on silica sand 6/12

### IP Map



Glued-on adhesive film Mapeband H12

## STRAINERS

Channels ZUS and ZUSI are supplied in a basic design with a strainer STANDARD and isn't necessarily it specify. On request other strainer than the STANDARD is necessarily specify type of chosen strainer in order.

### STANDARD



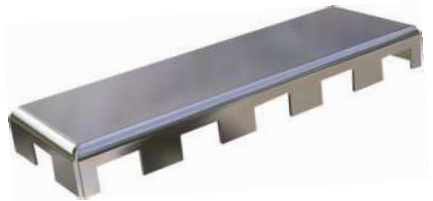
### LOZENGE



### MONTE



### PLATE



### SINUS



## FLOOR SINKS

Except channels for bath we are also producer of stainless floor sinks and floor channels. They are used to take away surface waste water in food industry operation and similar, where are increased operational and hygiene requirements. High quality of processing, rounded corners and full anticorrosive work guarantee trouble free operation. As a matter of course are atypical modifications according to request of customer.

### WITHOUT ISOLATION

■ VK 150



■ 4010B70



■ 4010S70



■ 5010S100



■ 7010B100



### WITH ISOLATION

■ 4010B70K



■ 4010S70K



■ 6010B100K



■ 6010S100K



■ 6010B100KR



### FLOOR CHANNELS

■ CHANNEL PZU



■ CHANNEL PZV



EXAMPLES OF INSTALLATION



*Products for food workrooms,  
bathrooms and for construction companies.*

*doors*

*trolleys*

*draperies*

*tanks*

*tables and kitchen sinks*

*suspended flat tracks*

*atypical metallic products*



LÁF JZ s.r.o.  
Kotíkova 193  
509 01 Nová Paka  
Czech Republic

tel: +420 493 721 069  
fax: +420 493 721 921  
e-mail: [lafjz@laf.cz](mailto:lafjz@laf.cz)  
[www.laf.cz](http://www.laf.cz)

